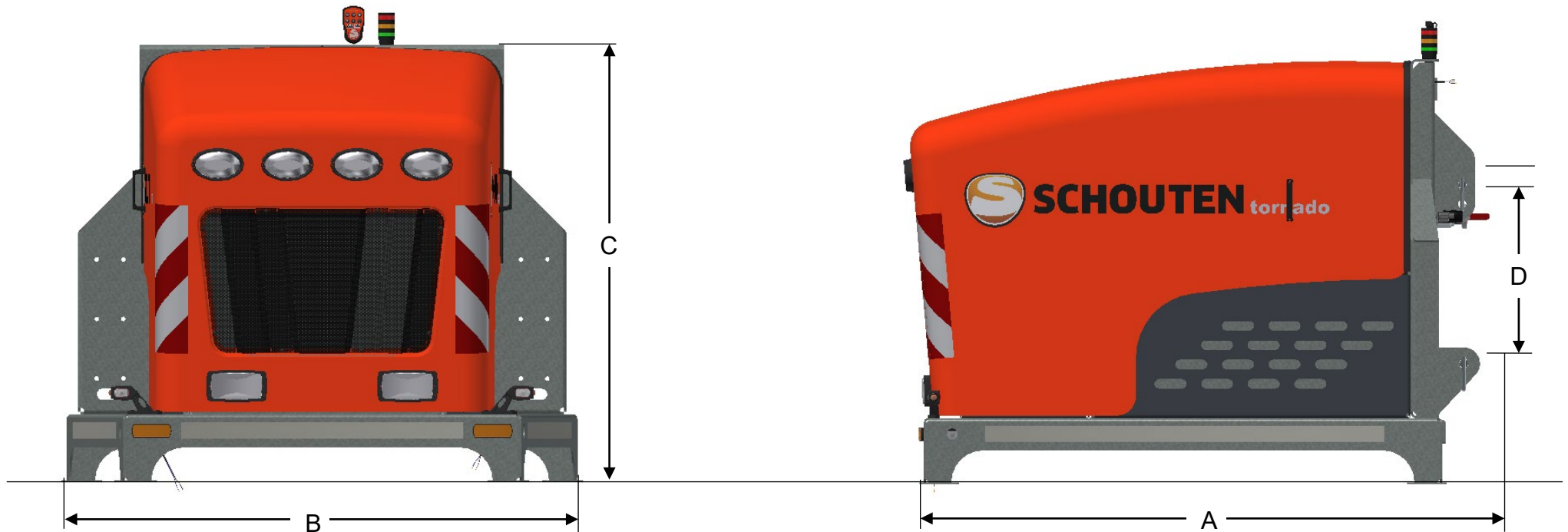


# TORNADO AC115



## DIMENSIONS

A	LENGTH	1790 MM
B	WIDTH	1570 MM
C	HEIGHT	1320 MM

D	DISTANCE LIFT PIN – LINK PIN	498-558 MM

# TORNADO AC115

## MACHINE INFORMATION

TYPE	AC115
WEIGHT	980 KG
HITCH TYPE	3-POINT CAT II
CAPACITY	11.500 L/MIN
PRESSURE RANGE	0-8 BAR
MACHINE DRIVE	FRONT PTO
PTO SPEED	1.000 RPM
POWER REQUIREMENT	100 KW
AIR OUTLET COUPLING	1X STORZ NA52 1X PREVOST ASI
FRONT LIGHTING	HEADLIGHT/LOW BEAM