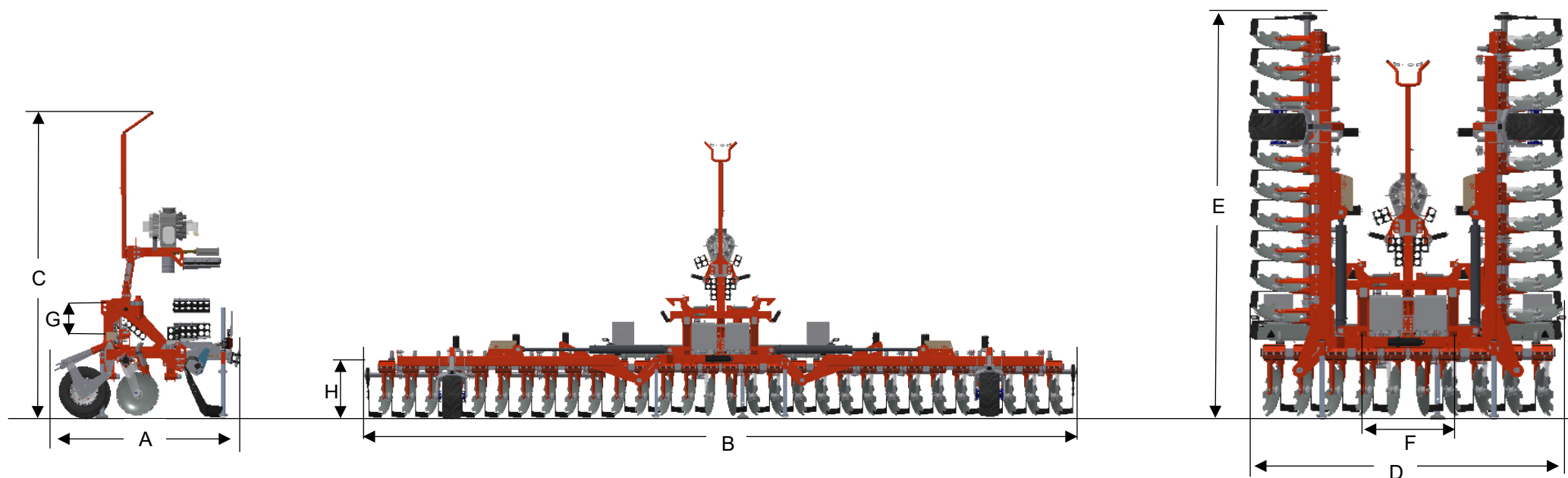


BIZON BS900



DIMENSIONS

A	LENGTH	1640 MM	E	TRANSPORT HEIGHT	4025 MM
B	WIDTH	9190 MM	F	HITCH WIDTH	870 MM
C	HEIGHT	3550 MM	G	DISTANCE LIFT PIN – LINK PIN	490-550 MM
D	TRANSPORT WIDTH	3020 MM	H	FRAME CLEARANCE	800 MM

BIZON BS900

MACHINE INFORMATION

TYPE	BIZON BS900
WORKING WIDTH	9.0 MTR
WEIGHT	2930 KG
FRAME	3 PARTS FOLDABLE
HITCH	3 + 4 PUNTS CAT III
SUPPORT WHEELS	2X 23X10.50-12
DISTRIBUTOR	EXA-CUT 30/51
HOSE DIAMETER	Ø 51 MM

SUSPENSION ELEMENTS	TORSION SPRING
NUMBER OF DISCS	30
DIAMETER DISCS	Ø 510 MM
ROW DISTANCE	30 CM
VALVES	PNEUMATIC

OPTIONS



MOUNTINGKIT FOR VERVAET TRIKE



MOUNTINGKIT FOR TOOLCARRIER



SUPPLY HOSE