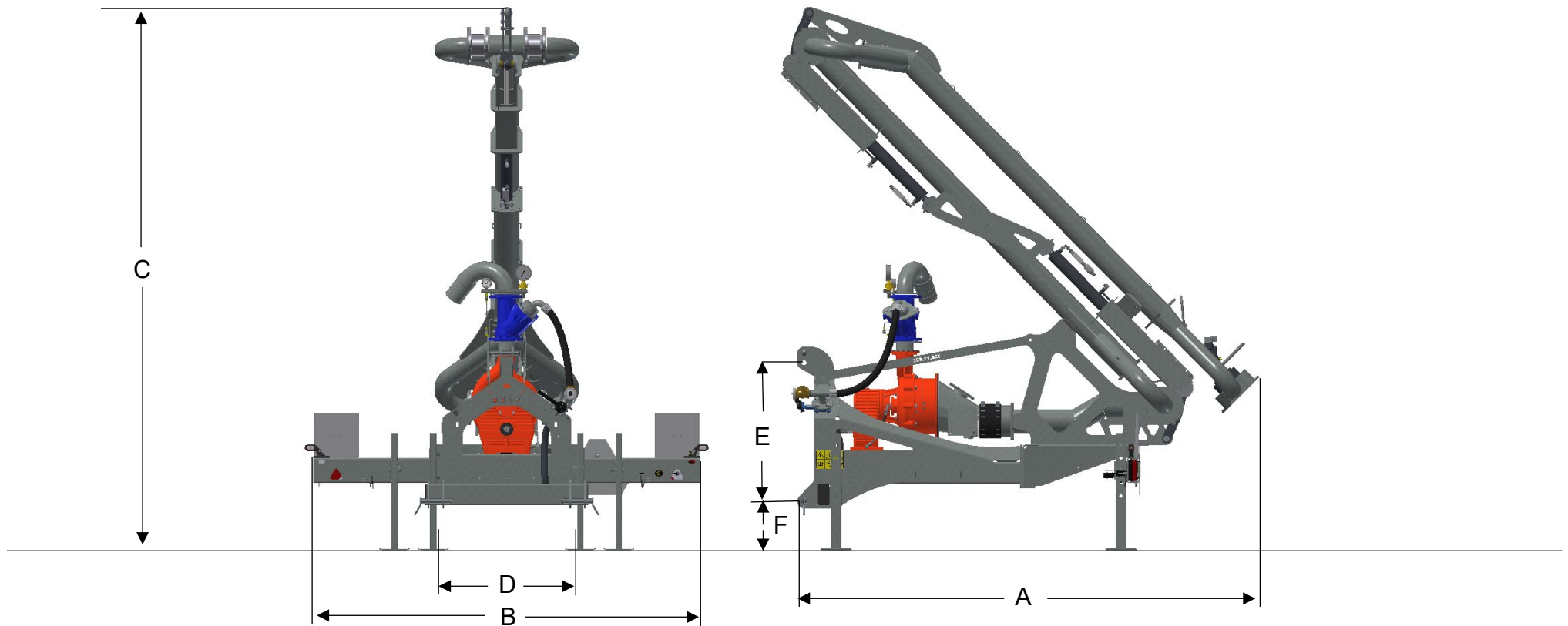


ORCAN PU100Z



DIMENSIONS

A	LENGTH	3085 MM	E	DISTANCE LIFT BALL – TOPLINK BALL	895/955 MM
B	WIDTH	2500 MM	F	HITCH HEIGHT	314 MM
C	HEIGHT	3507 MM			
D	HITCH WIDTH	915 MM			

ORCAN PU100Z

MACHINE INFORMATION

TYPE	PU100Z
WEIGHT	1.260 KG
CENTRIFUGAL SLURRY PUMP	DODA AFI 35HD
CAPACITY SLURRY PUMP	5.000 L/MIN
SLURRY PUMP DRIVE	PTO 1.000 RPM
PTO SHEAR BOLT PROTECTION	2.920 NM
PUMP	MÄKI REINI 3S
CAPACITY	12.000 L/MIN
PUMP DRIVE	HYDRAULIC – 0-160 LTR/MIN
HEIGHT	25 MTR
COMPRESSED AIR CONNECTOR	STORZ NA 52
BALL CHECK VALVE	DN100/PN16

OPTIONS



WATER FLOWMETER

