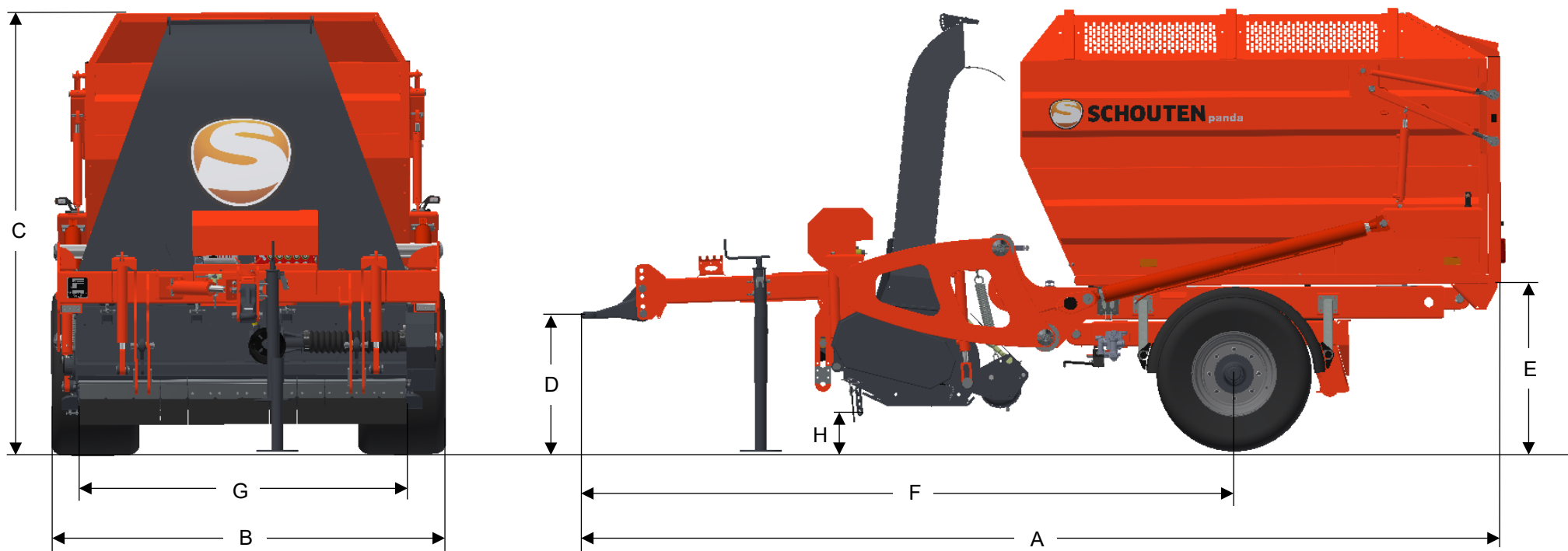


# PANDA P1806S



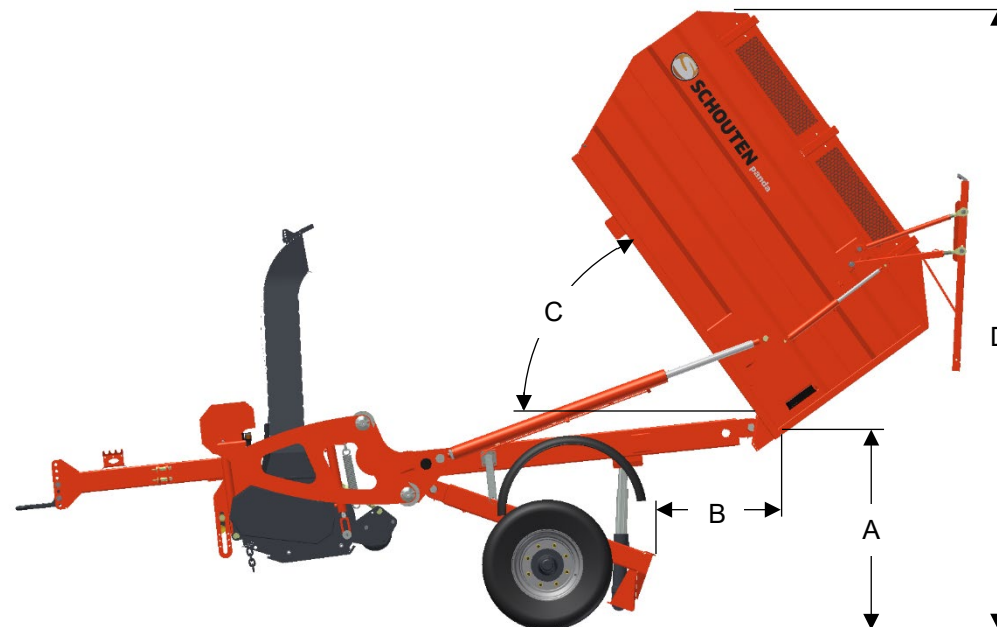
## DIMENSIONS

A	LENGTH	5150 MM	E	MINIMAL EMPTYING HEIGHT	940 MM
B	WIDTH	2195 MM	F	DISTANCE HITH - AXLE	3590 MM
C	HEIGHT	2550 MM	G	WORKING WIDTH	1800 MM
D	HITCH HEIGHT	740-1090 MM	H	FRAME CLEARANCE	240 MM

# PANDA P1806S

## MACHINE INFORMATION

TYPE	P1806S
WEIGHT	3.220 KG
HITCH TYPE	TOP HITCH
BIN CAPACITY	6.5 M <sup>3</sup>
DRAWBAR ADJUSTMENT L/R	600/160 MM
SIDESHIFT ADJUSTMENT L/R	375/225 MM
HYDR. POWER REQUIREMENT	40LTR/MIN - 180BAR
HYDR. L.S. PREPARED	YES
POWER CONNECTION	12VDC
AXLE	TVZ BRAKED 90X90MM
BRAKE SYSTEM	AIR BRAKES
CARRYING CAPACITY	6.900 KG
TRACK SIZE AXLE	1700 MM
TIRES	19.0/45X17 18PR
MOWING UNIT DRIVE	PTO V-BELTS
PTO SPEED	540 RPM
POWER REQUIREMENT	50 PK
WORKING WIDTH	1800 MM
DIAMETER MOWING ROTOR	Ø160 MM
NUMBER OF CLAPPERS	26 STUKS
MOWING ROTOR SPEED	2.100 RPM
DIAMETER REAR ROLLER	Ø200 MM



## DIMENSIONS TIPPING POSITION

A	MAX. EMPTYING HEIGHT	1290 MM
B	DISTANCE BIN – FRAME	835 MM
C	BIN EMPTYING ANGLE	MIN. 54°
D	TOTAL HEIGHT	4130 MM