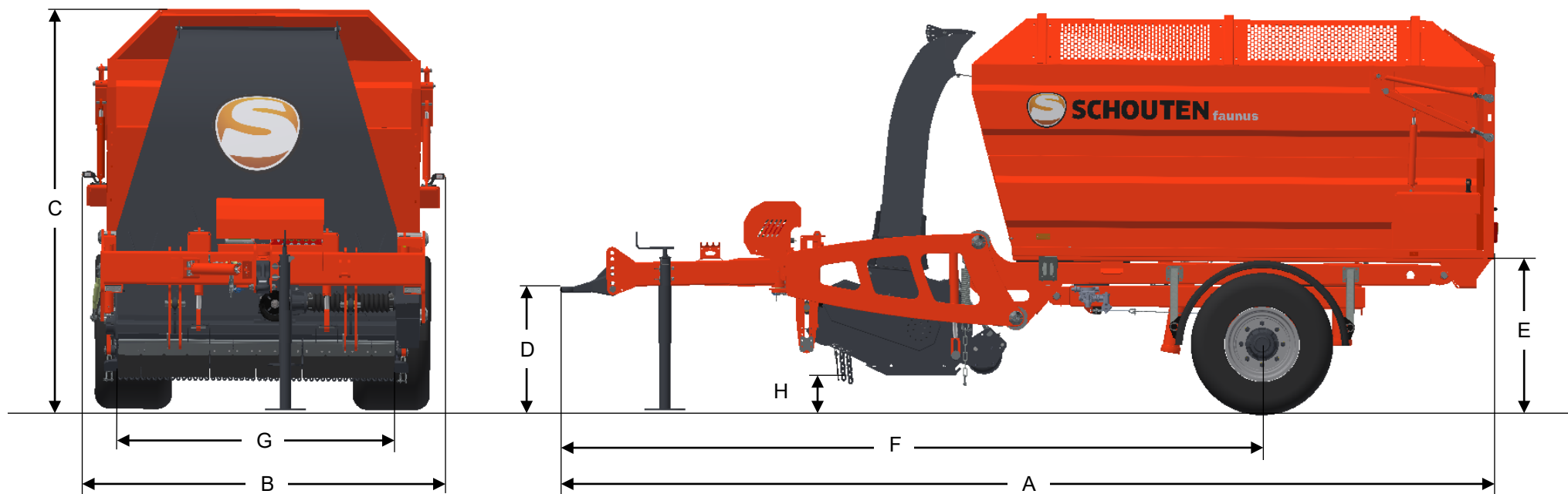


# FAUNUS F1810



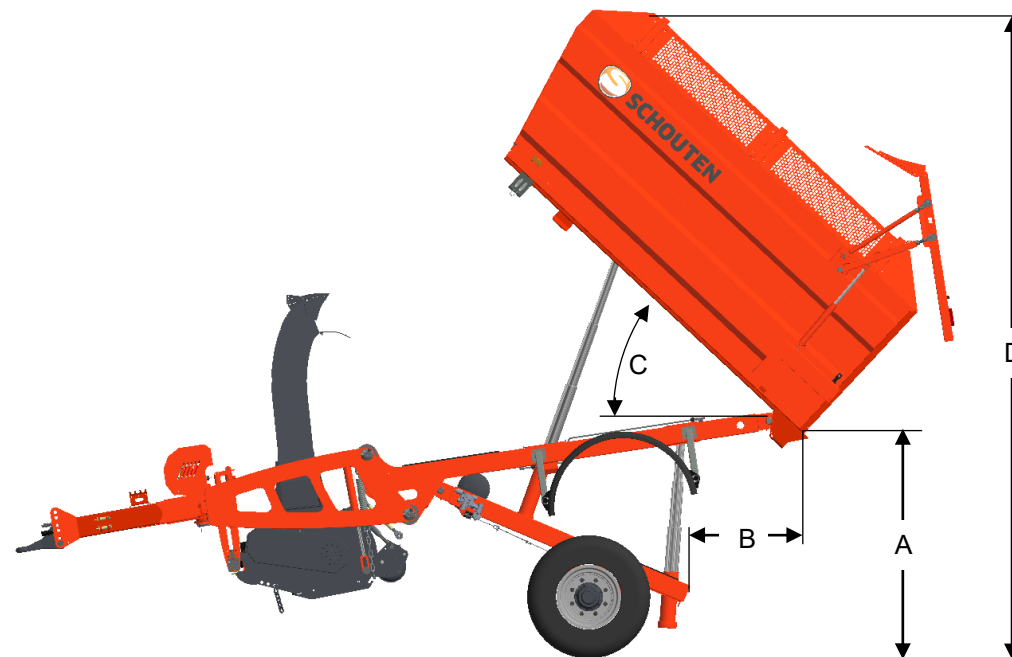
## DIMENSIONS

A	LENGTH	6182 MM	E	MINIMAL EMPTYING HEIGHT	1035 MM
B	WIDTH	2333 MM	F	DISTANCE HITCH – AXLE	4630 MM
C	HEIGHT	2651 MM	G	WORKING WIDTH	1800 MM
D	HITCH HEIGHT	790-955 MM	H	FRAME CLEARANCE	240 MM

# FAUNUS F1810

## MACHINE INFORMATION

TYPE	F1810
WEIGHT	3.900 KG
HITCH TYPE	TOP HITCH
BIN CAPACITY	10 M <sup>3</sup>
DRAWBAR ADJUSTMENT L/R	600/215 MM
SIDE-SHIFT ADJUSTMENT L/R	400/200 MM
HYDR. POWER REQUIREMENT	40L/MIN - 180BAR
HYDR. L.S. PREPARED	YES
POWER CONNECTION	12VDC
AXLE	TVZ BRAKED 90X90MM
BRAKE SYSTEM	AIR BRAKES
MAX. CAPACITY AXLE	4.800 KG
TRACK SIZE AXLE	1800 MM
TIRES	500/50X17 14PR
MOWING UNIT DRIVE	PTO V-BELTS
PTO SPEED	540 RPM
POWER REQUIREMENT	70 HP
WORKING WIDTH	1800 MM
DIAMETER MOWING ROTOR	Ø220 MM
NUMBER OF CLAPPERS	26 PIECES
MOWING ROTOR SPEED	2.100 RPM
DIAMETER REAR ROLLER	Ø200 MM



## DIMENSIONS MAX. TILTING POSITION

A	MAX. EMPTYING HEIGHT	1765 MM
B	DISTANCE BIN – FRAME	900 MM
C	BIN EMPTYING ANGLE	MIN. 43°
D	TOTAL HEIGHT	4950 MM