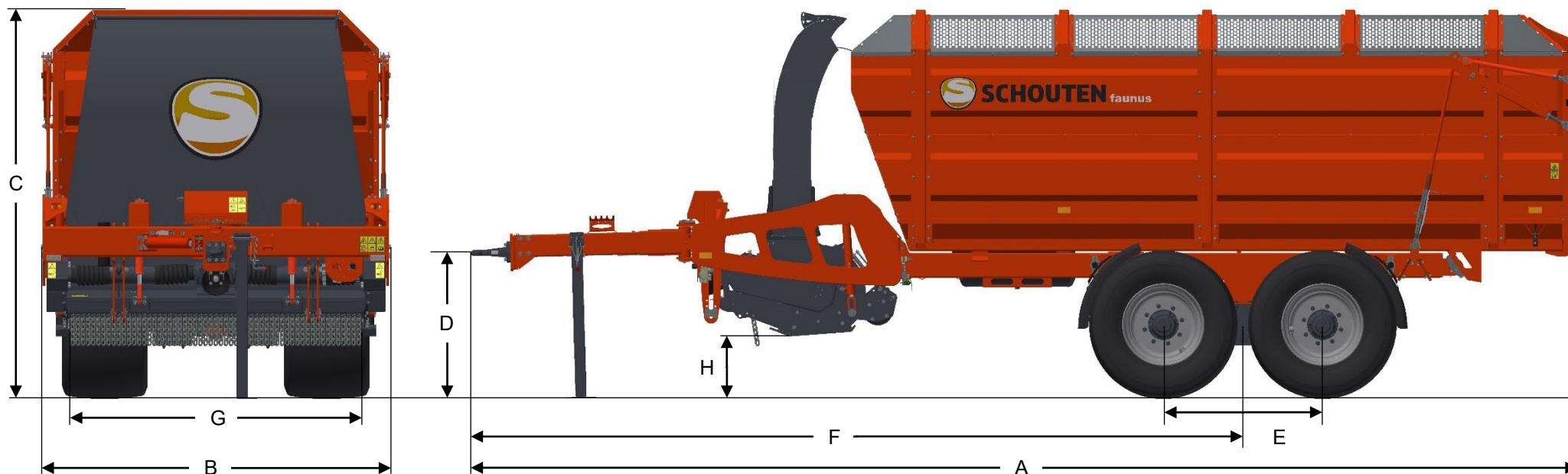


# FAUNUS F2118



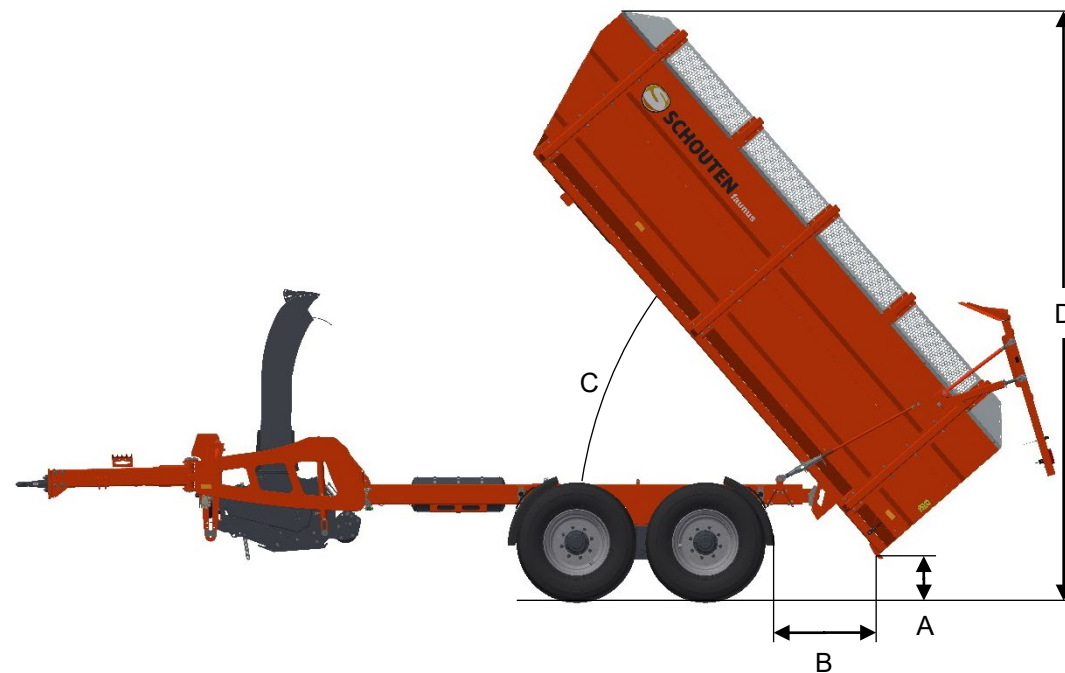
## DIMENSIONS

A	LENGTH	7983 MM	E	DISTANCE TANDEM AXLES	1150 MM
B	WIDTH	2522 MM	F	DISTANCE HITCH – TANDEM	5510 MM
C	HEIGHT	2790 MM	G	WORKING WIDTH	2100 MM
D	HITCH HEIGHT	980-1115 MM	H	FRAME CLEARANCE	438 MM

# FAUNUS F2118

## MACHINE INFORMATION

TYPE	F2118
WEIGHT	5.520 KG
HITCH TYPE	TOP HITCH
BIN CAPACITY	18 M <sup>3</sup>
DRAWBAR ADJUSTMENT L/R	628/290 MM
NUMBER OF TRACTOR VALVES	2
POWER CONNECTION	12VDC
AXLE	TVZ TANDEM 90X90
BRAKE SYSTEM	AIR BRAKES
CAPACITY TANDEM AXLE	13.000 KG
TRACK SIZE AXLE	1600 MM
TIRES	620/40XR225
MOWING UNIT DRIVE	PTO V-BELTS
PTO SPEED	540 RPM
POWER REQUIREMENT	85 HP
WORKING WIDTH	2100 MM
DIAMETER MOWING ROTOR	Ø 220 MM
NUMBER OF MOWING BLADES	30 PIECES
MOWING ROTOR SPEED	2.000 RPM
DIAMETER REAR ROLLER	Ø 200 MM



## DIMENSIONS TILTING POSITION

A	EMPTYING HEIGHT	480 MM
B	DISTANCE BIN – FRAME	1000 MM
C	BIN EMPTYING ANGLE	49°
D	TOTAL HEIGHT	5240 MM